

# LXS AVIATION OBSTRUCTION LIGHT

LUXSOLAR LOW INTENSITY  
AVIATION OBSTRUCTION LIGHT  
LIOL-A – LIOL-B – LIOL-E



# LXS AVIATION OBSTRUCTION LIGHT

## LIOL-A / LIOL-B / LIOL-E

### OPTICAL FEATURES

- Based on LED technology
- Red light – steady burning (ICAO - FAA)
- Red light – flashing (FAA)
- LIOL A : > 10cd
- LIOL-B : > 32cd (steady burning)
- LIOL-E : > 32cd (flashing)
- Cd emission +6° and +10°
- Horizontal beam radiation : 360°
- Vertical beam spread : >10°
- Optical reflector

### OPTIONS

- Twin version – two galvanically separated circuits in the same fixture
- Fault alarm
- Infrared option
- Beacon support bracket
- Automatic changeover from normal to backup light

### ELECTRICAL FEATURES

- Power supply AC or DC
- Power consumption LIOL-B:4Watt/hr(DC)
- Power consumption LIOL-E:2Watt/hr(DC)
- LED feeded at constant current

### MECHANICAL FEATURES

- Anodised aluminium body with heat-sink pins at the bottom
- Polycarbonate UV resistant dome
- Polyurethane foam
- Degree of protection : IP66
- Operating temperature : -20°C to +50°C
- Storage temperature : -20°C to +50°C
- Lamp unit weight : 1 kg

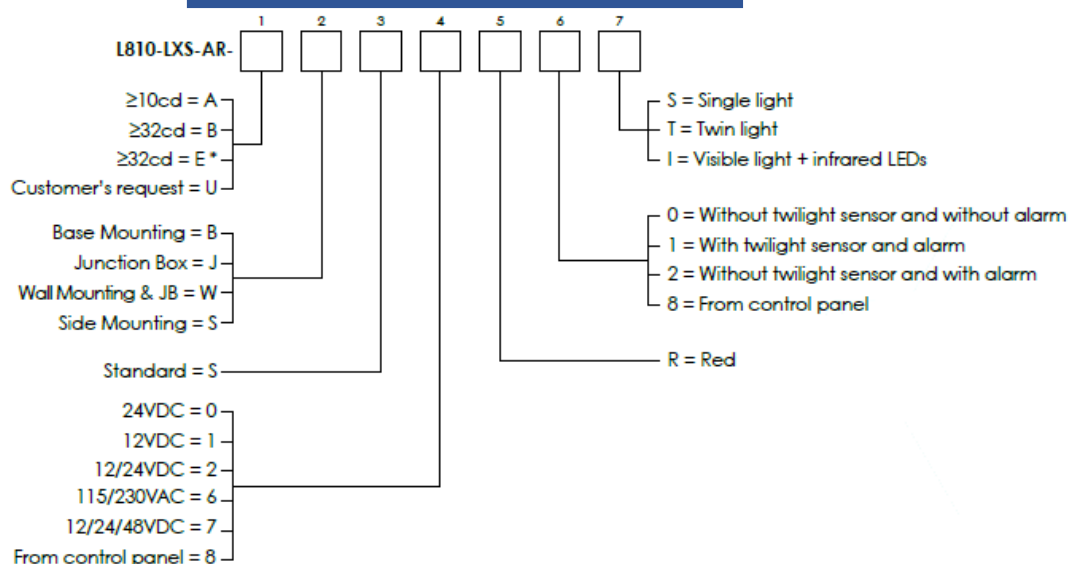
### APPLY TO

- Airport, Stack, High Building, Chimney, Tower Crane
- Pipe line, Bridge, Radio&TV Towers
- Transmission line, Wind turbine
- Radar, Antenna

### CERTIFICATIONS AND COMPLIANCE

- DGAC/STAC approval nr. 2013A048
- ENAC approval nr 0135182/ENAC/CIA
- CE
- ICAO Annex 14
- FAA AC150/5345-43F E.B. #67 type L-810
- Licensing of aerodromes - CAP168 - Chapter 4

### ORDER CODE



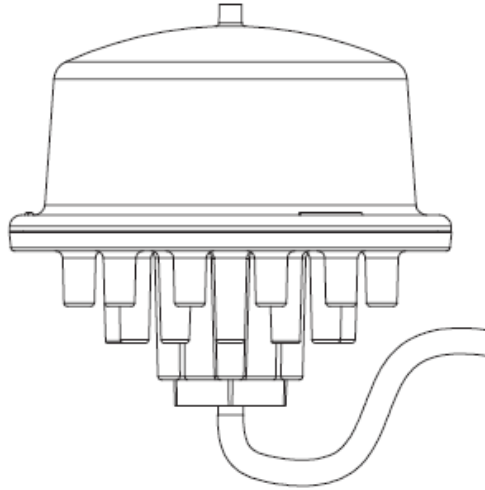
**demos LXS AVIATION OBSTRUCTION LIGHT**

e-mail: [demos@demos.com.tr](mailto:demos@demos.com.tr) – web: [www.wetraobstructionlight.com](http://www.wetraobstructionlight.com) – tel: +90 216 415 80 87

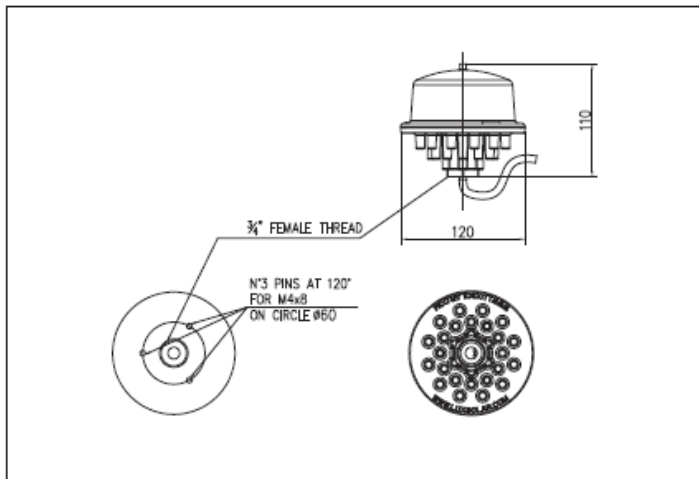
# LXS AVIATION OBSTRUCTION LIGHT

## LIOL-A / LIOL-B / LIOL-E

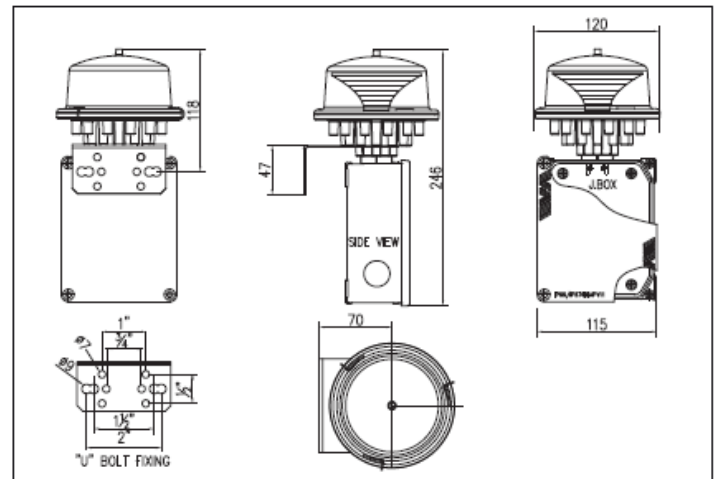
### LIOL FIXING DETAILS



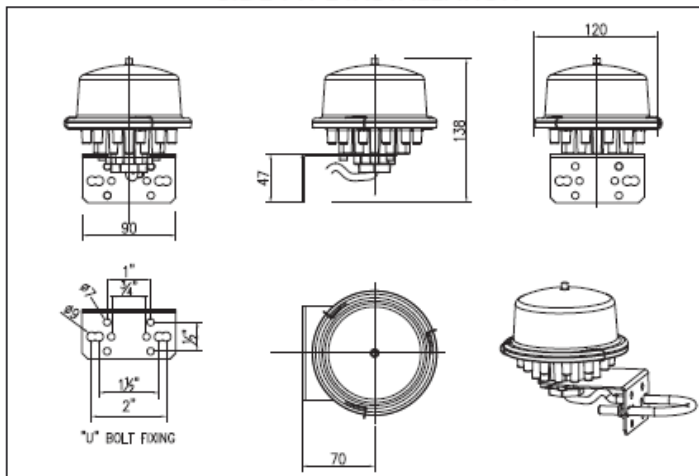
BASE TYPE INSTALLATION



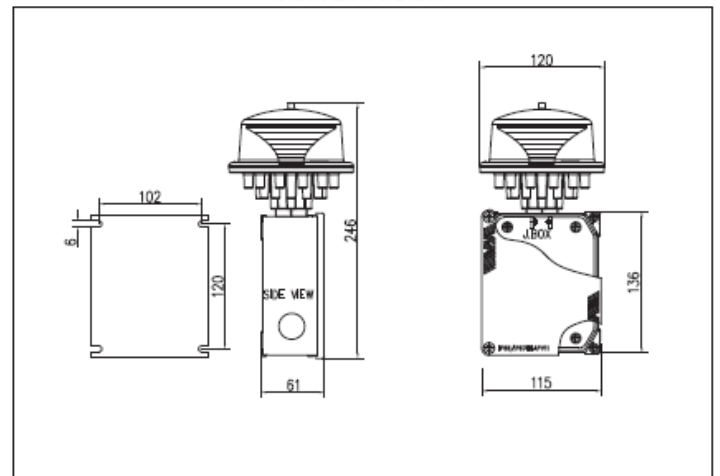
WALL TYPE INSTALLATION



SIDE TYPE INSTALLATION



JUNCTIN BOX

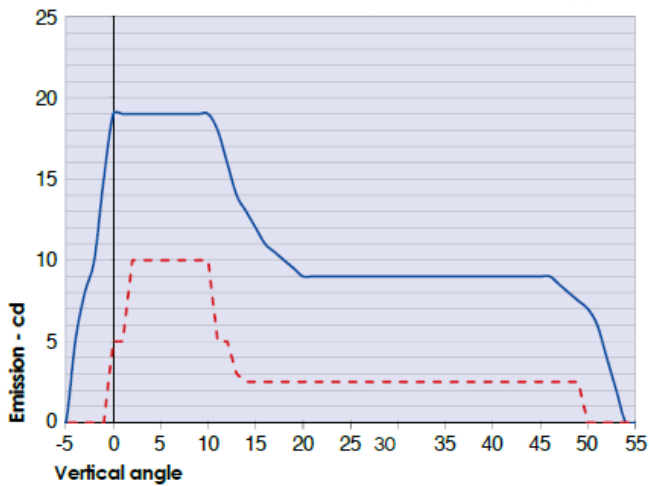


**demos** LXS AVIATION OBSTRUCTION LIGHT

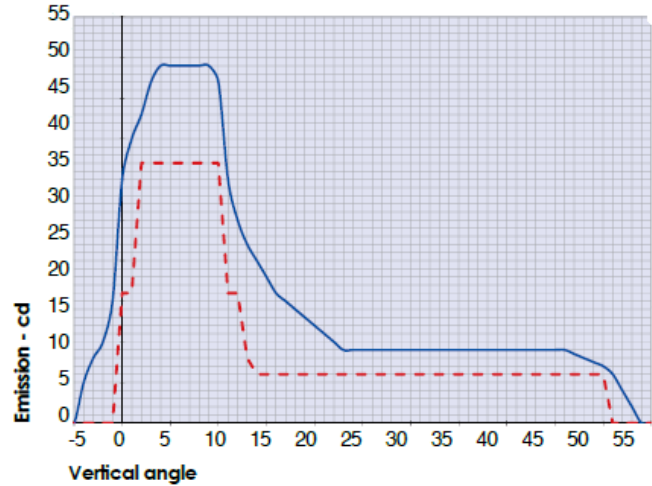
e-mail: [demos@demos.com.tr](mailto:demos@demos.com.tr) – web: [www.wetraobstructionlight.com](http://www.wetraobstructionlight.com) – tel: +90 216 415 80 87

# LXS AVIATION OBSTRUCTION LIGHT

## LIOL-A / LIOL-B / LIOL-E

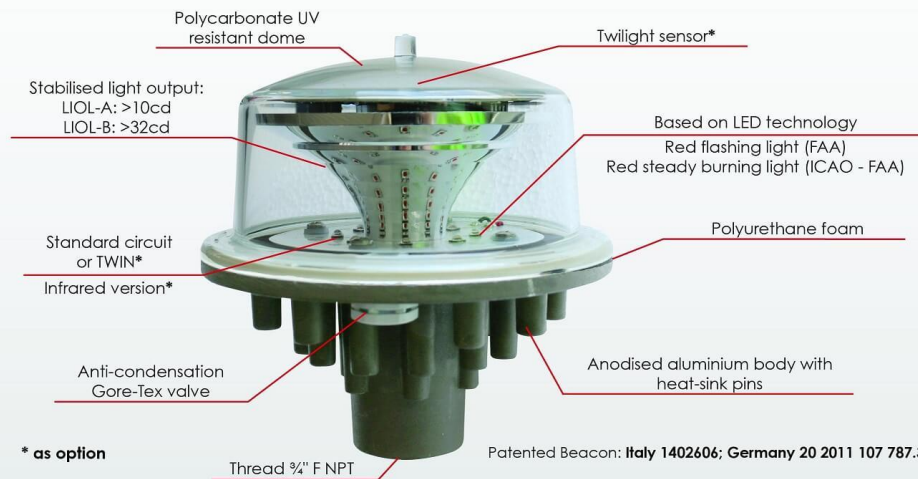


— L810-LXS-A average emission level  
 - - ICAO ANNEX 14 low intensity type A Minimum Required Intensity



— L810-LXS-B/E average emission level  
 - - ICAO ANNEX 14 low intensity type B and E Min Required Intensity

LIOL-A  
 LIOL-B



\* as option

Patented Beacon: Italy 1402606; Germany 20 2011 107 787.3; France 1160162.

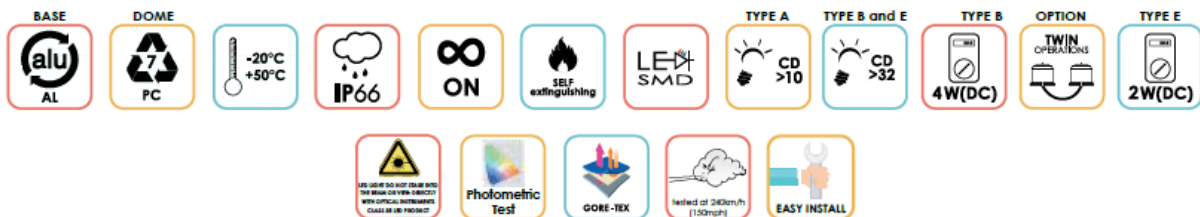
### CERTIFICATIONS



### COMPLIANCE



### FEATURES



### APPLICATIONS



**demos LXS AVIATION OBSTRUCTION LIGHT**

e-mail: [demos@demos.com.tr](mailto:demos@demos.com.tr) – web: [www.wetraobstructionlight.com](http://www.wetraobstructionlight.com) – tel: +90 216 415 80 87