

LXS AVIATION OBSTRUCTION LIGHT

LUXSOLAR HIGH INTENSITY
AVIATION OBSTRUCTION LIGHT
HIOL-B



demos

LXS AVIATION OBSTRUCTION LIGHT

e-mail: demos@demos.com.tr – web: www.wetraobstructionlight.com – tel: +90 216 415 80 87

LXS AVIATION OBSTRUCTION LIGHT

HIOL-B

OPTICAL FEATURES

- Based on LED technology
- 100.000cd day mode, White flashing
- 20.000cd day mode, White flashing
- 2.000cd night mode, White flashing
- Cd emission $-0,5^{\circ}$ and $+4^{\circ}$
- Horizontal beam radiation: 120° and 360°
- Vertical beam spread: 4°
- PMMA lens
- Lights output alignment device

OPTIONS

- Beacon Support bracket
- Flow deflector
- Power supply AC or DC
- GPS Sync.
- @60fpm only in 120°
- Antibold protection
- Infrared version
- Dual BB: White flashing on day, twilight mode, red flashing on night mode
- Dual BC: White flashing on day, twilight mode, red steady burning on night mode

MECHANICAL FEATURES

- Borosilicate glass cover protection
- RAL 7035 painted aluminium body lamp
- Silicon gasket
- Bottom wind collector for central heat-sink cooling
- Degree of protection: IP66
- Anti-condensation Gore-Tex valve
- Wind resistance tested at 240km/h (150mph)
- Vibration resistance up to: $80m/sn^2$ (Mercalli scale 10° , Richter scale 7°)
- Operating temperature $-20^{\circ}C$ to $+45^{\circ}C$
- Storage temperature $-20^{\circ}C$ to $+45^{\circ}C$
- Lamp unit weight: 12kg

ELECTRICAL FEATURES

- Electronic control parts installed outside the beacon
- Average power consump. 120° (40fpm):
 - Day mode: $176W \pm 10\%(*)$
 - Twilight mode: $41W \pm 10\%(*)$
 - Night mode: $15W \pm 10\%(*)$
- Average power consump. 360° (40fpm):
 - Day mode: $528W \pm 10\%(*)$
 - Twilight mode: $123W \pm 10\%(*)$
 - Night mode: $45W \pm 10\%(*)$
- (*)Average control panel consumption
- Overvoltage protection
- LED feeded at constant current
- Lightning protection
- No-RF radiations
- Range section of connectable conductors: $0,5mm^2$ to $2,5mm^2$
- Cable outer diameter range: 7 to 14mm

APPLY TO

- Airport – Stack – High Building – Tower Crane
- Pipe Line – Bridge – Radio and TV Towers
- Transmission Line – Wind Turbine
- Radar – Antenna – Flag Pole

CERTIFICATIONS AND COMPLIANCE

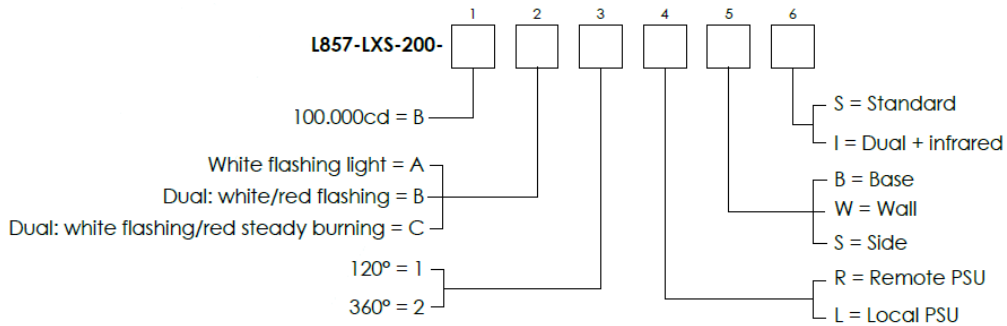
- CE marking
- ICAO Annex 14 Vol. 1 Chapter 6: High intensity, B TYPE flashing obstacle light HIOL-B/BB/BC
- FAA AC150/5345-43F E.B. #67 type L-857



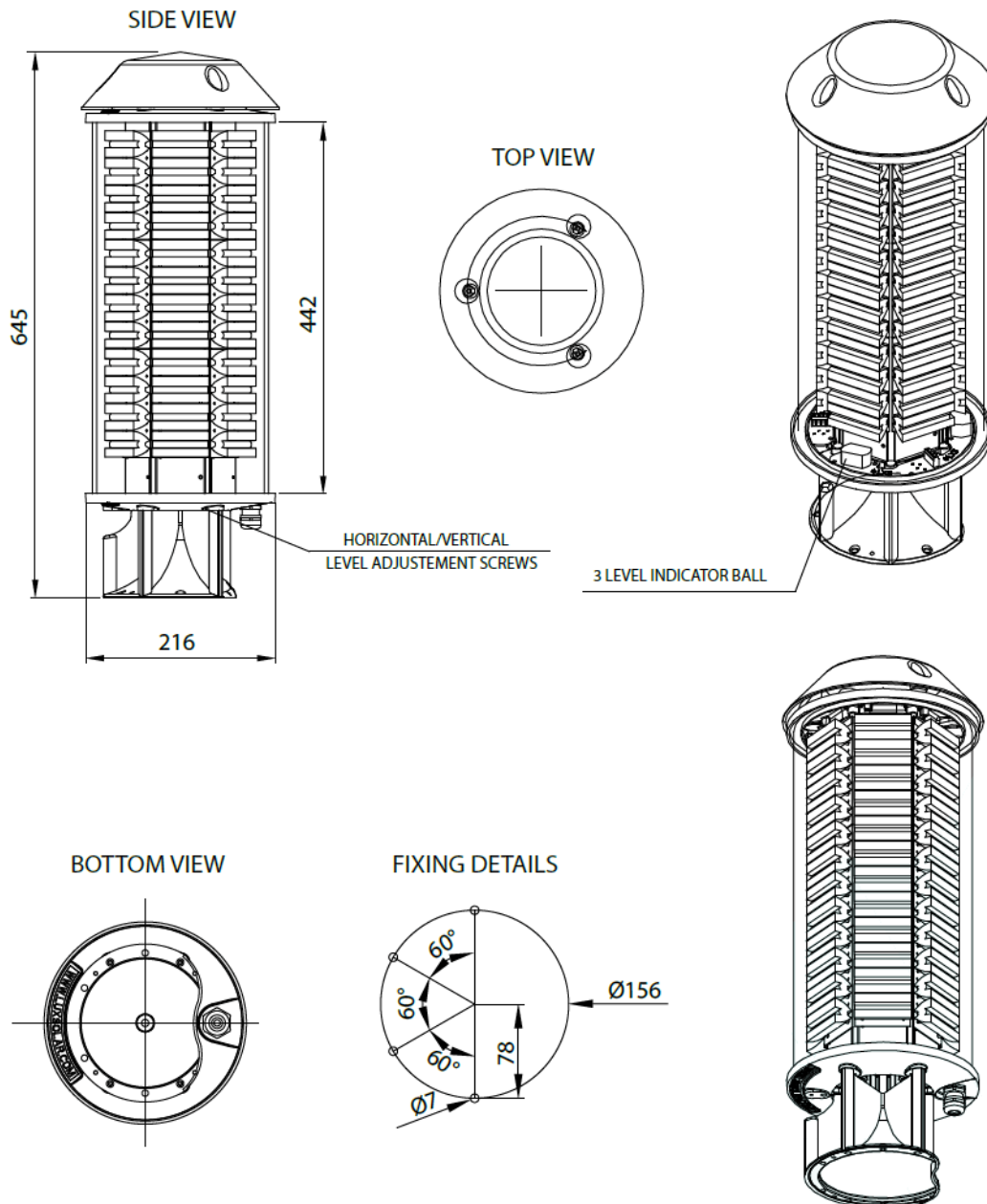
LXS AVIATION OBSTRUCTION LIGHT

HIOL-B

ORDER CODE



HIOL-B FIXING DETAILS

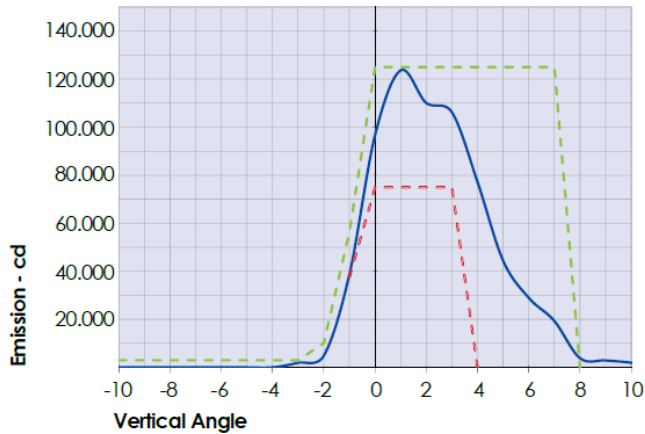


demos LXS AVIATION OBSTRUCTION LIGHT

e-mail: demos@demos.com.tr – web: www.wetraobstructionlight.com – tel: +90 216 415 80 87

LXS AVIATION OBSTRUCTION LIGHT

HIOL-B



- L857-LXS-B average emission level at 70°C ambient temperature
- - - ICAO ANNEX 14 high intensity type B - Min. Required Intensity
- - - ICAO ANNEX 14 high intensity type B - Max. Required Intensity

HIOL - B



* as option

Patented Beacon: EU 001929910-0001; USA D673,475; Canada 145 189; Turchia TR201205663.

CERTIFICATIONS



COMPLIANCE



FEATURES

BASE AL	DOME PC	-20°C +45°C	IP66	ON	SELF extinguishing	LED SMD	DAY CD 100000	TWILIGHT CD 20000	NIGHT CD 2000	LED LIGHT DO NOT STARE INTO THE BEAM OR VIEW DIRECTLY WITH OPTICAL INSTRUMENTS CLASS III LASER PRODUCT	GORE-TEX
DAY 17&W	TWILIGHT 41W	NIGHT 15W	DAY 528W	TWILIGHT 123W	NIGHT 45W	up to 80m/s ²	EASY INSTALL	tested at 340km/h (180mph)			
			HIOL-B 120°			HIOL-B 360°					

APPLICATIONS



LXS AVIATION OBSTRUCTION LIGHT

e-mail: demos@demos.com.tr – web: www.wetraobstructionlight.com – tel: +90 216 415 80 87