

LXS AVIATION OBSTRUCTION LIGHT

LUXSOLAR MEDIUM INTENSITY
AVIATION OBSTRUCTION LIGHT
MIOL-A



demos

LXS AVIATION OBSTRUCTION LIGHT

e-mail: demos@demos.com.tr – web: www.wetraobstructionlight.com – tel: +90 216 415 80 87

LXS AVIATION OBSTRUCTION LIGHT

MIOL-A

OPTICAL FEATURES

- Based on LED technology
- 20.000cd day mode, White flashing
- 2.000cd night mode, White flashing
- Cd emission -0,5° and +4°
- Horizontal beam radiation: 360°
- Vertical beam spread: 4°
- PMMA lens
- Lights output alignment device

OPTIONS

- Beacon Support bracket
- Flow deflector
- Horizontal beam radiation: 180°
- Power supply AC or DC
- GPS Sync.
- Twin version: two galvanically separated circuits in the same fixture
- Fault alarm
- Automatic changeover from normal to backup light

MECHANICAL FEATURES

- Borosilicate glass cover protection
- RAL 7035 painted aluminium body lamp
- Silicon gasket
- Bottom wind collector for central heat-sink cooling
- Degree of protection: IP66
- Anti-condensation Gore-Tex valve
- Wind resistance tested at 240km/h (150mph)
- Vibration resistance up to: 80m/sn² (Mercalli scale 10°, Richter scale 7°)
- Operating temperature -20°C to +45°C
- Storage temperature -20°C to +45°C
- Lamp unit weight: 6kg

ELECTRICAL FEATURES

- Alarm/remote status control
- Electronic control parts installed outside the beacon
- Average power consumption (20fpm)
 - Day mode: 45W
 - Night mode: 10W
- Average power consumption (40fpm)
 - Day mode: 110W
 - Night mode: 13W
- Average power consumption (60fpm)
 - Day mode: 160W
 - Night mode: 18W
- LED feeded at constant current
- Lightning protection
- No-RF radiations
- Range section of connectable conductors: 0,5mm² to 2,5mm²
- Cable outer diameter range: 7 to 14mm

APPLY TO

- Airport – Stack – High Building – Tower Crane
- Pipe Line – Bridge – Radio and TV Towers
- Transmission Line – Wind Turbine
- Radar – Antenna – Flag Pole

CERTIFICATIONS AND COMPLIANCE

- DGAC/STAC approval number 2013A038
- ENAC approval number 0135182/ENAC/CIA
- CE marking
- ICAO Annex 14 Vol. 1 Chapter 6: Medium intensity, A TYPE flashing obstacle light MIOL-A
- FAA AC150/5345-43F E.B. #67 type L-865



demos

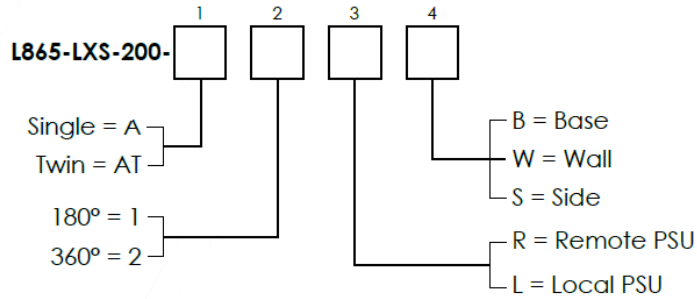
LXS AVIATION OBSTRUCTION LIGHT

e-mail: demos@demos.com.tr – web: www.wetraobstructionlight.com – tel: +90 216 415 80 87

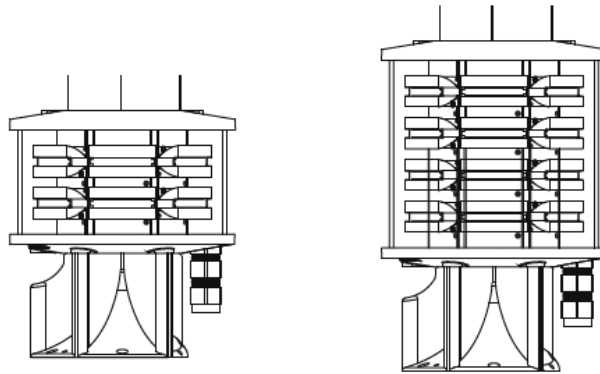
LXS AVIATION OBSTRUCTION LIGHT

MIOL-A

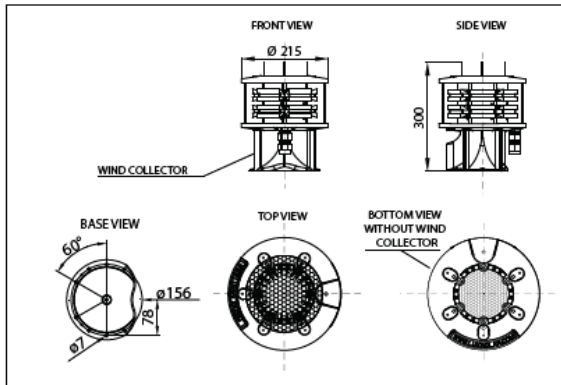
ORDER CODE



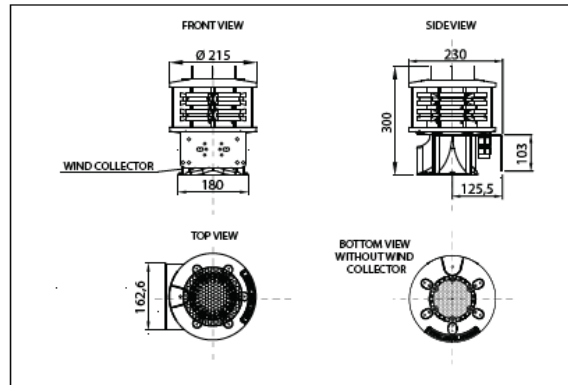
MIOL-A FIXING DETAILS



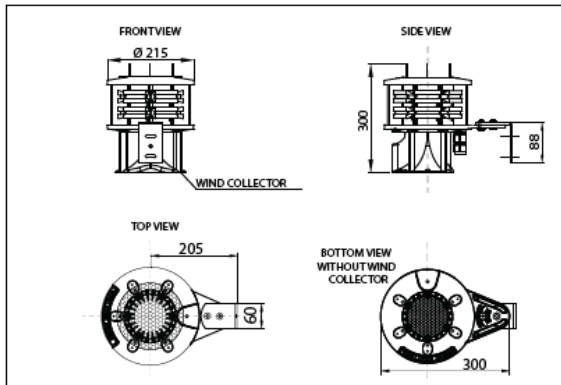
BASE TYPE INSTALLATION



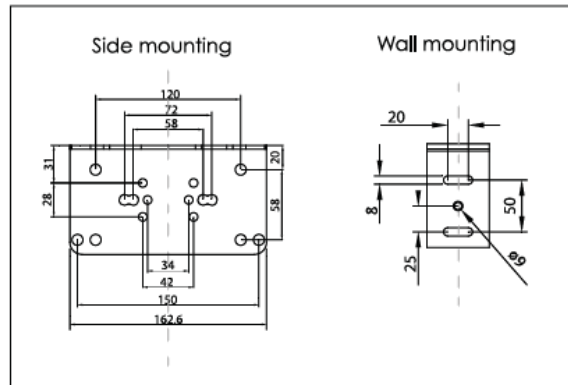
SIDE TYPE INSTALLATION



WALL TYPE INSTALLATION



SIDE AND WALL MOUNTING

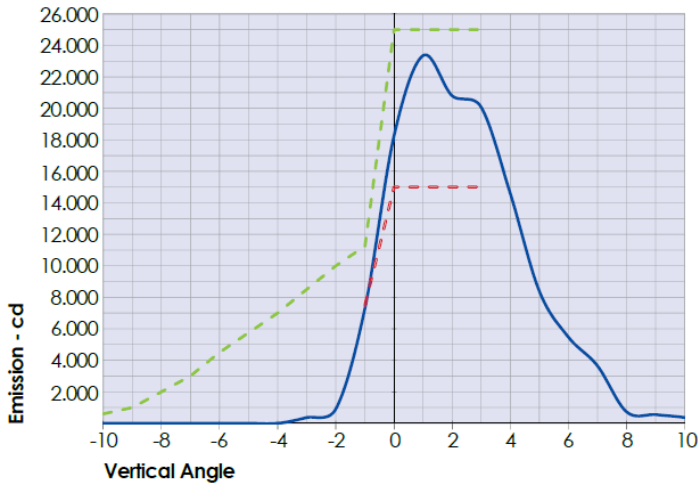


demos LXS AVIATION OBSTRUCTION LIGHT

e-mail: demos@demos.com.tr – web: www.wetraobstructionlight.com – tel: +90 216 415 80 87

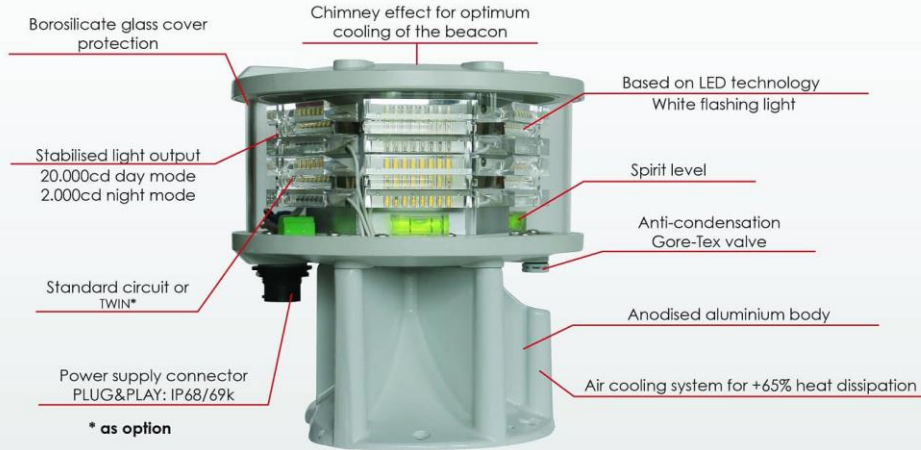
LXS AVIATION OBSTRUCTION LIGHT

MIOL-A



— L865-LXS-A average emission level at 90°C ambient temperature
 - - ICAO ANNEX 14 medium intensity type A Min. Required Intensity
 - - ICAO ANNEX 14 medium intensity type A Max. Required Intensity

MIOL-A



Patented Beacon: EU 001929910-0001; Canada 145 189; USA D673.474; Turkey TR2012 05662.

CERTIFICATIONS



COMPLIANCE



FEATURES

BASE AL	DOME PC	-20°C +45°C	IP66	∞ ON	SELF extinguishing	LED SMD	DAY CD 20000	NIGHT CD 2000	Photometric Test	OPTION TWIN OPERATIONS
DAY 45W	NIGHT 10W	DAY 110W	NIGHT 13W	DAY 160W	NIGHT 18W	LED LIGHT DO NOT STARE INTO THE BEAM OR VIEW DIRECTLY WITH OPTICAL INSTRUMENTS CLASS III LASER PRODUCT	GORE-TEX	up to 80m/s ²	EASY INSTALL	tested at 240km/h (150mph)
@20 FPM		@40 FPM		@60 FPM						

APPLICATIONS



LXS AVIATION OBSTRUCTION LIGHT

e-mail: demos@demos.com.tr – web: www.wetraobstructionlight.com – tel: +90 216 415 80 87