

LXS AVIATION OBSTRUCTION LIGHT

LUXSOLAR MEDIUM INTENSITY
AVIATION OBSTRUCTION LIGHT
MIOL-B / MIOL-C



LXS AVIATION OBSTRUCTION LIGHT

MIOL-B / MIOL-C

OPTICAL FEATURES

- Based on LED technology
- Red light 2.000cd
- Cd emission -0,5° and +4°
- Horizontal beam radiation: 360°
- Vertical beam spread: 4°
- PMMA lens
- Lights output alignment device

OPTIONS

- Beacon Support bracket
- Flow deflector
- Horizontal beam radiation: 180°
- Power supply AC or DC
- GPS Sync.
- Infrared version – wavelength: 850nm
- Twin version: two galvanically separated circuits in the same fixture
- Fault alarm
- Automatic changeover from normal to backup light

MECHANICAL FEATURES

- Borosilicate glass cover protection
- RAL 7035 painted aluminium body lamp
- Silicon gasket
- Bottom wind collector for central heat-sink cooling
- Degree of protection: IP66
- Anti-condensation Gore-Tex valve
- Wind resistance tested at 240km/h (150mph)
- Vibration resistance up to: 80m/sn² (Mercalli scale 10°, Richter scale 7°)
- Operating temperature -20°C to +45°C
- Storage temperature -20°C to +45°C
- Lamp unit weight: 6kg

ELECTRICAL FEATURES

- Alarm/remote status control
- Electronic control parts installed outside the beacon
- Average power consumption for MIOL-B:
 - @20fpm: 9W
 - @40fpm: 12W
 - @60fpm: 15W
- Average power consumption for MIOL-C (Steady burning): 54W
- LED feeded at constant current
- Lightning protection
- No-RF radiations
- Range section of connectable conductors: 0,5mm² to 2,5mm²
- Cable outer diameter range: 7 to 14mm

APPLY TO

- Airport – Stack – High Building – Tower Crane
- Pipe Line – Bridge – Radio and TV Towers
- Transmission Line – Wind Turbine
- Radar – Antenna – Flag Pole

CERTIFICATIONS AND COMPLIANCE

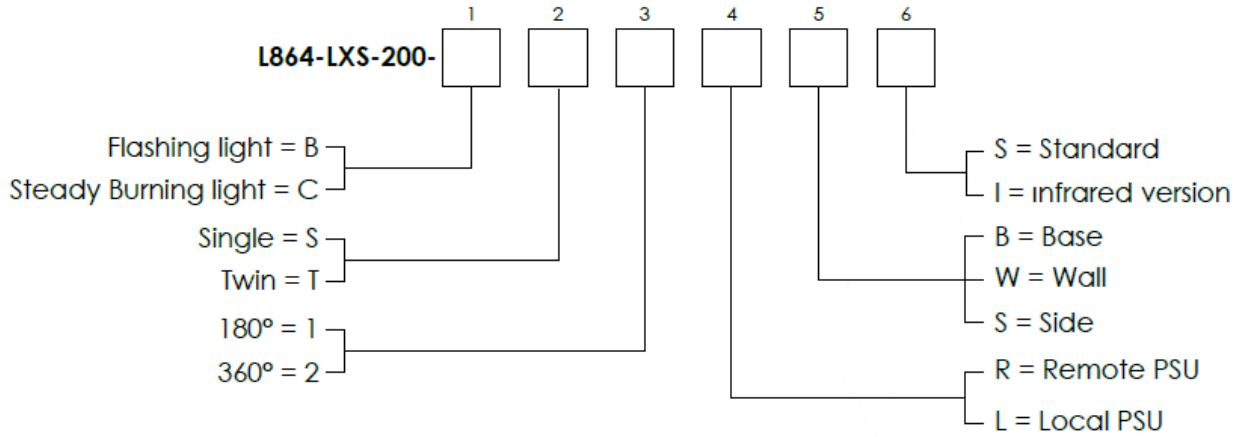
- DGAC/STAC approval number 2013A037
- ENAC approval number 0135182/ENAC/CIA
- CE marking
- ICAO Annex 14 Vol. 1 Chapter 6: Medium intensity, B TYPE flashing obstacle light MIOL-B or C TYPE steady burning obstacle light MIOL-C
- FAA AC150/5345-43F E.B. #67 type L-864
- Licensing of aerodromes – CAP 168 – Chapter 4



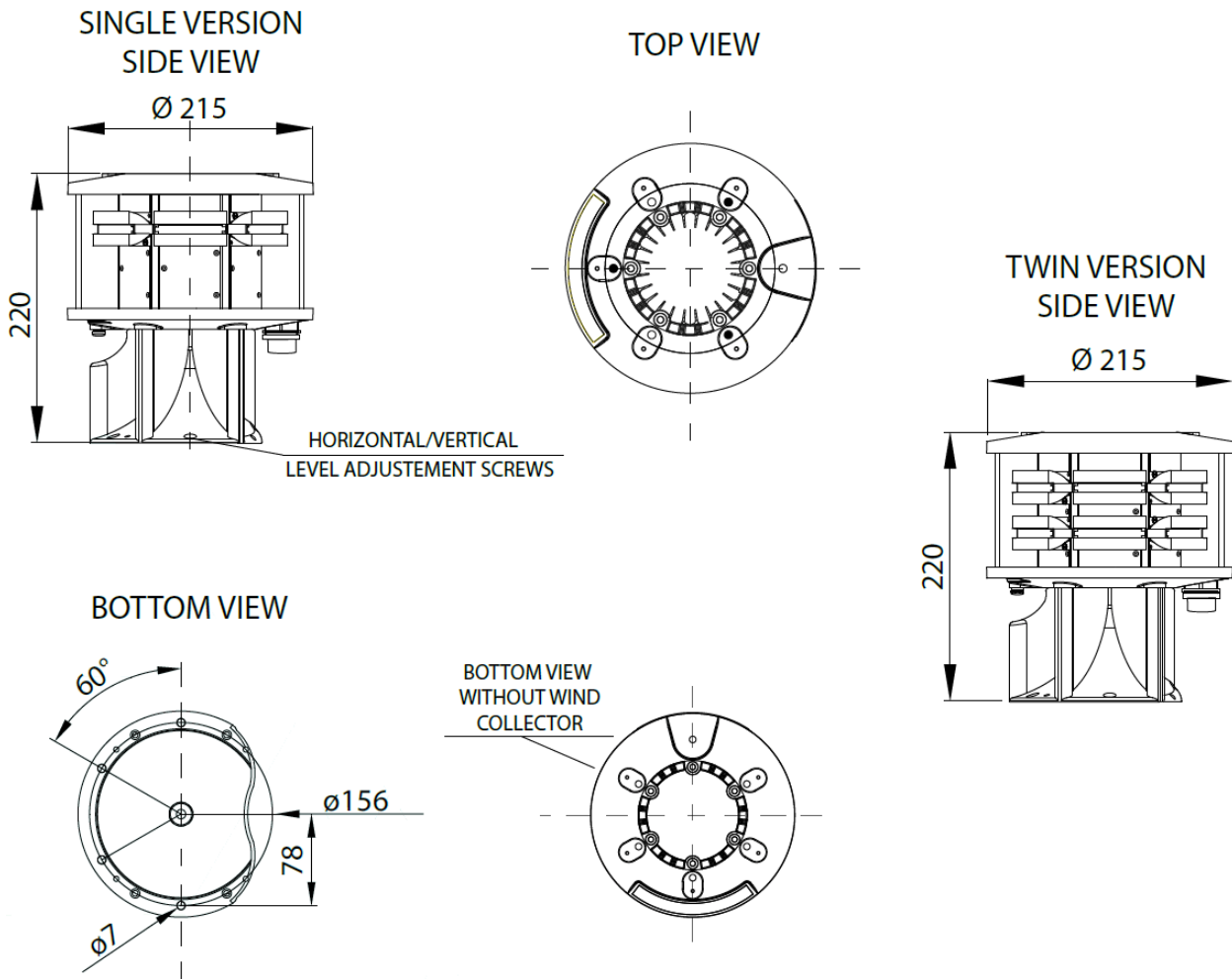
LXS AVIATION OBSTRUCTION LIGHT

MIOL-B / MIOL-C

ORDER CODE



MIOL-B / MIOL-C FIXING DETAILS

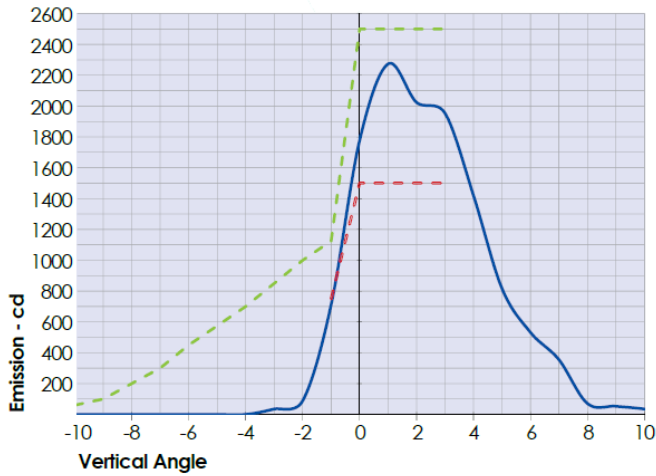


demos LXS AVIATION OBSTRUCTION LIGHT

e-mail: demos@demos.com.tr – web: www.wetraobstructionlight.com – tel: +90 216 415 80 87

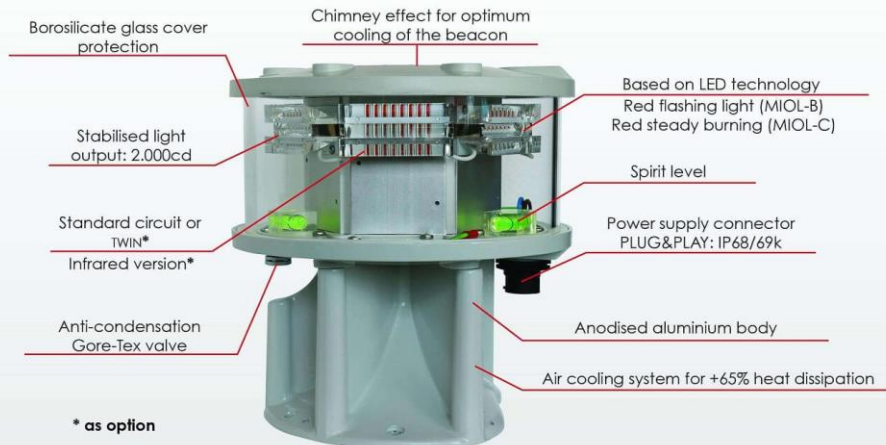
LXS AVIATION OBSTRUCTION LIGHT

MIOL-B / MIOL-C



— L864-LXS-B/C average emission level at 90°C ambient temperature
 - - ICAO ANNEX 14 medium intensity type B/C Min. Required Intensity
 - - ICAO ANNEX 14 medium intensity type B/C Max. Required Intensity

MIOL-B
 MIOL-C



Patented Beacon: EU 001929910-0001; Canada 145 189; USA D673,474; Turkey TR2012 05662.

CERTIFICATIONS



COMPLIANCE



FEATURES

BASE alu AL	DOME 7 PC	-20°C +45°C	IP66	ON	SELF extinguishing	LED SMD	TYPE B/C CD 2000	OPTION TWIN OPERATIONS	TYPE B 176W	TYPE B 41W	TYPE B 15W
TYPE C		54W	LED LIGHT DO NOT SHINE INTO THE BEACON OR VIEW DIRECTLY WITH OPTICAL INSTRUMENTS CLASS III LED PRODUCT	GORE-TEX	Photometric Test	up to 80m/s ²	EASY INSTALL	tested at 240km/h (150mph)	@20 FPM	@40 FPM	@60 FPM

APPLICATIONS



demos LXS AVIATION OBSTRUCTION LIGHT

e-mail: demos@demos.com.tr – web: www.wetraobstructionlight.com – tel: +90 216 415 80 87