

# WETRA AVIATION OBSTRUCTION LIGHTS

## WETRA TWIN AVIATION OBSTRUCTION LIGHT



 WETRA AVIATION OBSTRUCTION LIGHTS

e-mail: [demos@demos.com.tr](mailto:demos@demos.com.tr) – web: [www.wetraobstructionlight.com](http://www.wetraobstructionlight.com) – tel: +90 216 415 80 87

# WETRA AVIATION OBSTRUCTION LIGHTS

## WETRA TWIN AVIATION OBSTRUCTION LIGHT

### KEY FEATURES

- Based on LED technology
- Flashing/Steady burning option
- Colour options
- >32 candela light intensity
- Long life time >10 years
- 140 quantities multiple LED
- Stabilised light output
- Lightweight and compact
- Low wind load factor
- Easy to install
- No RF-radiations

### OPTICAL FEATURES

- Redundant system
- 360° horizontal beam radiation with special LED technology
- Vertical beam spread >10°
- Optical reflector
- Cd emission +4° and +8°

### OPTIONS

- Twin light (backup light)
- 12-24-48-110-220 voltage options
- Fault alarm
- Infrared available
- Beacon support bracket
- Night and day detection with micro processor and photocell

### ELECTRICAL FEATURES

- Power supply AC or DC
- Power consumption 6-7 Watt/hour
- LED feeded with constant current

### MECHANICAL FEATURES

- Warming, icing and ignition-resistant polycarbonate UV dome
- Aluminium body
- Silicon gasket
- Degree of protection IP 65-66, Nema 4X
- Operation temp. -55°C and +55°C
- Light unit weight 3,5kg

### APPLY TO

- Airport, high structure, chimney
- Pipe line, bridge, tv/radio towers
- Transmission line, wind turbine
- Radar, antenna
- Flag pole, monopole and cage towers

### INTERNATIONAL REGULATIONS

- ICAO Annex 14
- FAA
- CE
- TSE

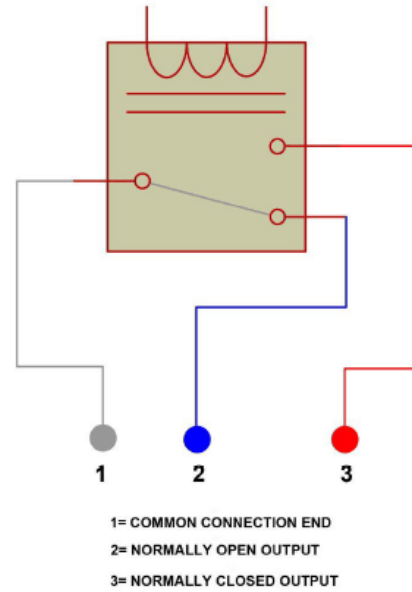
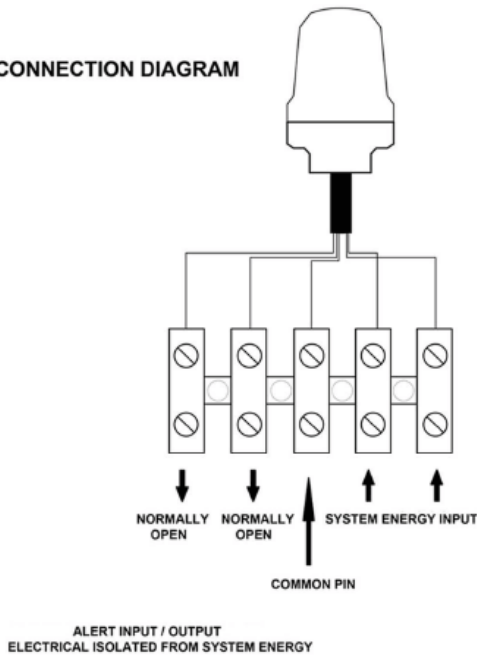
# WETRA AVIATION OBSTRUCTION LIGHTS

## WETRA TWIN AVIATION OBSTRUCTION LIGHT

Model Order Code WETRA WT - ? - ? - ?			
WETRA WT	Flash(F) – Steady(S)	Photocell(P) – No-Photocell(N)	Voltage (12, 24, 48, 110, 220)
WT-F-P-220	Flash burning	With photocell	220V
WT-F-N-110	Flash burning	Without photocell	110V
WT-S-P-48	Steady burning	With photocell	48V
WT-S-N-24	Steady burning	Without photocell	24V
...	...	...	...



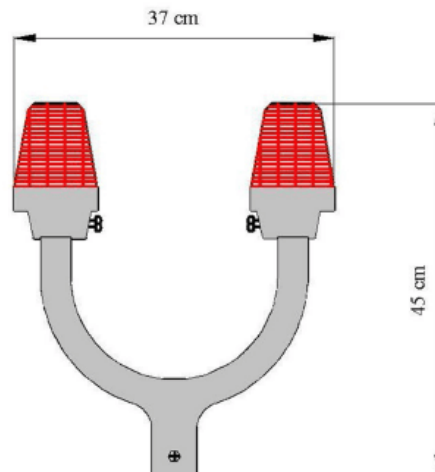
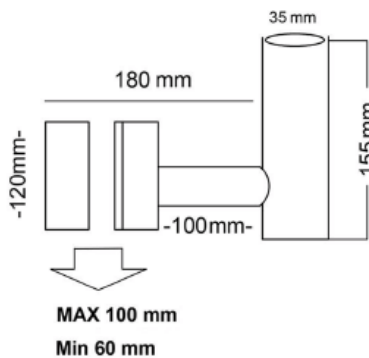
### CONNECTION DIAGRAM



1= COMMON CONNECTION END  
2= NORMALLY OPEN OUTPUT  
3= NORMALLY CLOSED OUTPUT

NORMALLY OPEN CIRCUIT CONNECTION DIAGRAM :1-2 (GREY-BLUE)  
NORMALLY CLOSED CIRCUIT CONNECTION DIAGRAM :1-3 (GREY-RED)

### BEACON SUPPORT BRACKET DIMENSIONS



## WETRA AVIATION OBSTRUCTION LIGHTS