

HIGH INTENSITY



HIGH INTENSITY OBSTRUCTION LIGHT



According to ICAO - Annex 14, the High Intensity Obstruction Lights – Type A - are used to indicate the presence of structures whose height above the level of the surrounding ground exceeds 150m. It is also used when aeronautical studies indicates such lights to be essential for recognition of the structure by day and night.

The High Intensity Obstruction Lights – Type B are used to indicate the presence of a tower supporting overhead wires, cables, etc., where an aeronautical studies indicates such lights to be essential for the recognition of the presence of wires, cables, etc.; or where it has not been found practicable to install markers on the wires, cables, etc.

High intensity lights, Types A and Types B, have sufficient intensity to meet the most demanding day-time requirements. The intensity setting for twilight and night provide appropriate lower levels of output.

When specifying this type of light, it is necessary not only to consider the operational requirement of high intensity but also to consider the size and weight of the equipment.

Whereas other types of lighting have an horizontal coverage of 360°, high intensity lighting usually consist of units having an horizontal coverage of approximately 120°. It is therefore necessary to install a number of units at each corner of the structure to obtain all-round coverage.



LUXSOLAR beacons are composed of a plurality of separated lenses not belonging to the central body of the beacon. This allows the lenses to be coupled by distinct clamping elements.

HIGH INTENSITY

HIOL-A 60°/120° (LXS-FLAT)



IP65

Multiple Community Design: **002811174/000-0005 LXS-FLAT 60° - 002811174/000-0006 LXS-FLAT 120°.**

The High Intensity Obstruction Light is compliant to ICAO (High Intensity – Type A) and FAA (Type L-856).

Thanks to a **lifetime >10 years** and a **low power consumption**, this beacon is the ideal solution for an **efficient** and **compact** obstacle signalling.

This device is designed to emit a **directional light propagation**, allowing installations complying with ICAO Annex 14 Volume I, Paragraph 6.2.5.12.

CERTIFICATIONS



COMPLIANCE



FEATURES

BASE alu AL	DOME 7 PC	-45°C +55°C	IP65	ON	SELF extinguishing	LED SMD	EASY INSTALL	DAY CD 200000	TWILIGHT CD 20000	NIGHT CD 2000
DAY 110W	TWILIGHT 13W	NIGHT 6W	DAY 176W	TWILIGHT 41W	NIGHT 15W	LED LIGHTS DO NOT STARE INTO THE BEAM OR VIEW DIRECTLY WITH OPTICAL INSTRUMENTS CLASS II LED PRODUCT	GORE-TEX	up to 80m/s ²	ICAO approval	
LXS-FLAT 60° - 40 FPM			LXS-FLAT 120° - 40 FPM							

APPLICATIONS



HIGH INTENSITY

HIOL-A 60° / 120° (LXS-FLAT) TECHNICAL SPECIFICATIONS

OPTICAL FEATURES

- Based on LED technology
- 200.000cd day mode, flashing WHITE
- 20.000cd twilight mode, flashing WHITE
- 2.000cd night mode, flashing WHITE
- Cd emission @ -0,5° and +4°
- Horizontal beam radiation: 60° and 120°
- Vertical beam spread: +3 / +7°
- PMMA lens (PMMA)
- Light output alignment device

GENERAL OPTIONS

- Dual AB: white flash on day, red flash on night
- Dual AC: white flash on day, red steady
- Beacon support bracket
- Power supply AC or DC
- GPS (Global Position System) Sync
- Infrared version

MECHANICAL FEATURES

- RAL 7035 painted aluminium body lamp
- Silicon gasket
- Borosilicate glass cover protection
- Degree of protection: IP65
- Anti-condensation Gore-Tex valve
- Operating temperature: -45°C to +55°C
- Storage temperature: -45°C to +55°C
- Lamp unit weight: 15kg

APPLY TO

- Airport - Stack - High building - Chimney - Tower crane
- Pipe line - Bridge - Radio and television tower
- Transmission line - Wind turbine - Wind mast measurement
- Radar - Antenna

ELECTRICAL FEATURES

- Alarm/remote status control
- Electronic control parts installed outside the beacon (see pag. 30)
- Average power consumption LXS-FLAT 60° @40fpm:
 - Day mode: 110W
 - Twilight mode: 13W
 - Night mode: 6W
- Average power consumption LXS-FLAT 120° @40fpm:
 - Day mode: 220W
 - Twilight mode: 26W
 - Night mode: 12W
- Overvoltage protection
- No RF radiations

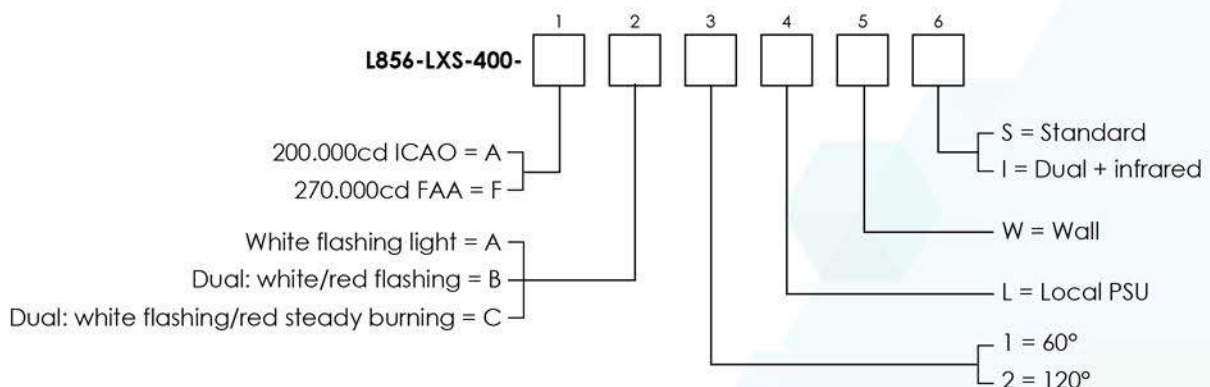
CERTIFICATIONS

- CE marking

COMPLIANCE

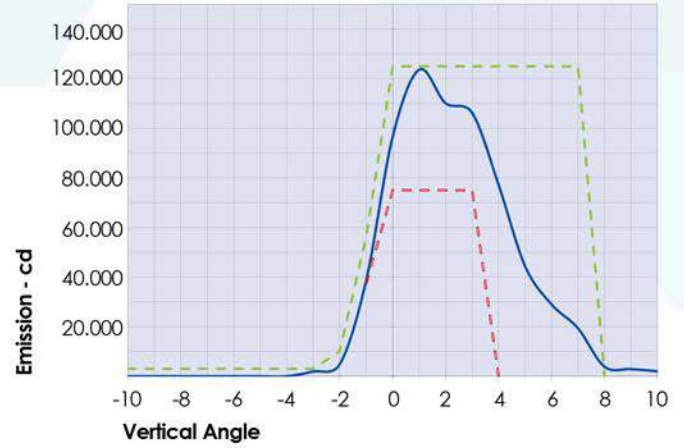
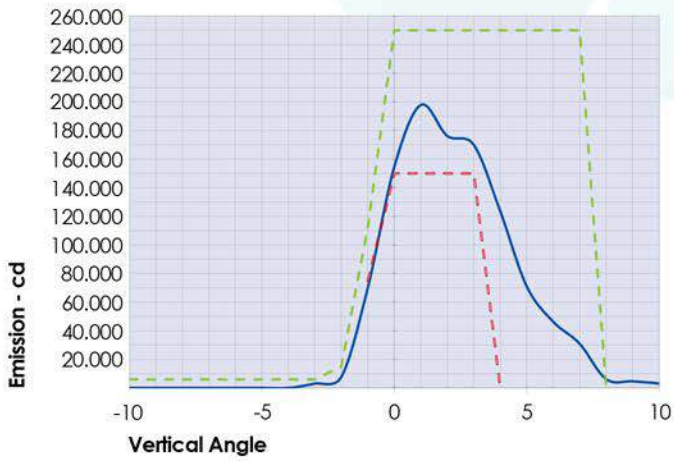
- ICAO Aerodromes - Annex 14 Vol. 1, Chap. 6: High intensity, Type-A flashing obstacle light HIOL-A/AB/AC Type FAA AC150/5345-43F E.B. #67 Lamp type L-856

ORDER CODE



HIGH INTENSITY

HIOL-A 60° / 120° TECHNICAL SPECIFICATIONS



— L856-LXS-A average emission level at 70°C ambient temperature
- - - ICAO ANNEX 14 high intensity Type A - Min. Required Intensity ICAO
- - - ANNEX 14 high intensity Type A - Max. Required Intensity

— L856-LXS-B average emission level at 70°C ambient temperature
- - - ICAO ANNEX 14 high intensity Type B - Min. Required Intensity
- - - ICAO ANNEX 14 high intensity Type B - Max. Required Intensity

HIOL-A 120° (LXS-FLAT)

HIOL-A 60° (LXS-FLAT)

