

MEDIUM INTENSITY

MEDIUM INTENSITY OBSTRUCTION LIGHT ALL-IN-ONE



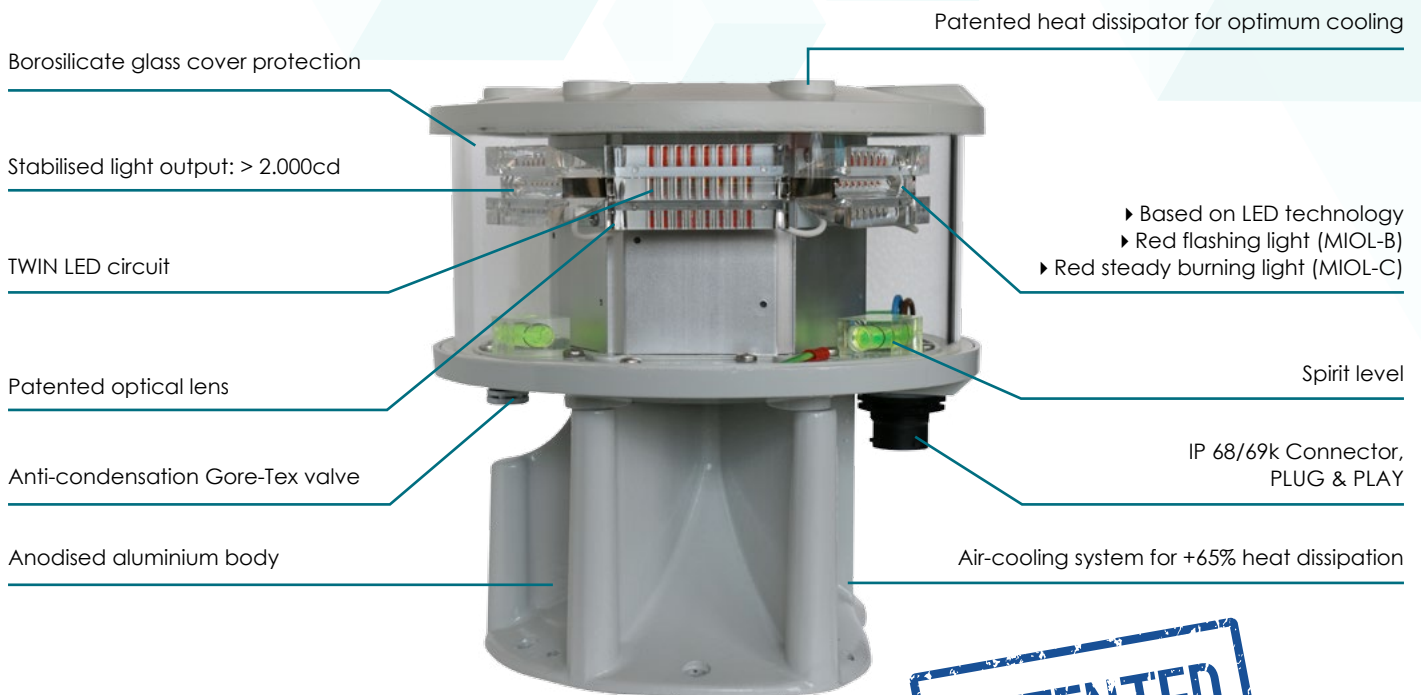
According to Annex 14 of ICAO regulation, Medium Intensity Obstruction Lights (MIOL) should be used to warn the presence of obstacles that could constitute hazard to air navigation.

LUXSOLAR MIOL-B/C ALL-IN-ONE beacon is the ideal solution when a compact and fully equipped device is needed; the perfect Aircraft Warning Light for transmission and telecommunication towers, meteorological masts and cranes.



MEDIUM INTENSITY

MIOL-B/MIOL-C ALL-IN-ONE



IP66

PATENTED

LUXSOLAR L864-LXS-ALL Medium Intensity Obstruction Light is **compliant to ICAO** (Medium Intensity - Type B or C), **FAA** (Type L-864), **ENAC and EASA certified**.

With a **compact body**, high quality and **ultra-bright LEDs**, **patented lenses and patented shape for optimum light emission and beacon cooling**; LUXSOLAR MIOL-B/C ALL-IN-ONE product is the most **up-to-dated** and **technologically advanced** Aircraft Warning Light. This LED device has been designed to concentrate in one fixture several features: **TWIN version as standard characteristic (normal + stand-by LED circuit)**, **built-in remote fault monitoring**, **twilight sensor and GPS module (option)**.

You just have to power supply the light, LUXSOLAR L864 ALL-IN-ONE will do the rest!

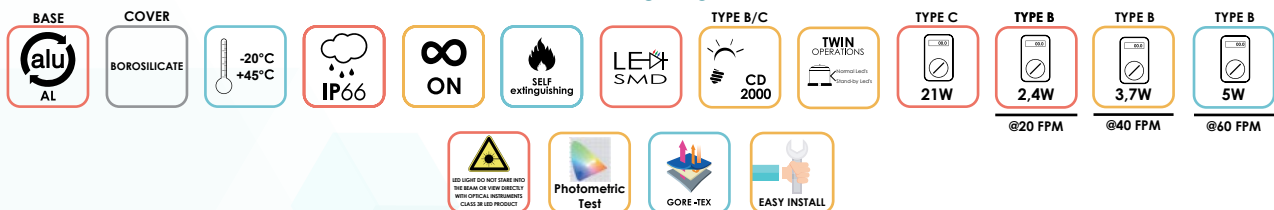
CERTIFICATION



COMPLIANCE



FEATURES



TYPICAL APPLICATION



MEDIUM INTENSITY

MIOL-B/MIOL-C ALL-IN-ONE TECHNICAL SPECIFICATIONS

OPTICAL FEATURES

- Based on LED technology
- RED light
- MIOL-B: >2.000cd Flashing
- MIOL-C: >2.000cd Steady Burning
- Cd emission @ -0,5° and +4°
- Horizontal beam radiation: 360°
- Vertical beam spread: 4°
- PMMA lens
- Light output alignment device

MECHANICAL FEATURES

- Anodised aluminium body, painted RAL7035
- Terminal JB for connection in Glass Reinforced Polyester (GRP), black colour
- Borosilicate glass cover protection
- Silicon rubber, VMQ
- Base wind collector and internal heat sink for optimum cooling
- Degree of protection: IP66
- Anti-condensation Gore-Tex valve
- Operating temperature: -20°C to +45°C
- Lamp unit weight: 6kg approx.
- SS304 beacon support bracket
- TWIN version: two separate LED circuits in the same fixture (normal + stand-by)

ELECTRICAL FEATURES

- Power supply 24VDC (18-32VDC) or 115/230Vac
- Average power consumption for MIOL-B (flashing):
 - @20fpm: 2,4W
 - @40fpm: 3,7W
 - @60fpm: 5W
- Average power consumption for MIOL-C (Steady Burning): 21W
- LED feeded at constant current
- Surge arrester
- No RF-radiations
- Contact Fault Alarm - Free Voltage
- Automatic changeover from normal to stand-by LED circuit

ELECTRICAL FEATURES

- Photocell (twilight sensor)
- Recommended cables:
 - Power: 3x1,5mm² or 3x2,5mm²
 - Alarm: 2x1mm²
- Cable outer diameter range: 7mm to 14mm

OPTIONS

- GPS (Global Position System) module for synchronization among two or more light fixtures
- LUXSOLAR Cloud Monitoring System - Low Impact
- Astronomic clock

APPLY TO

- ATC tower
- Stack
- High building
- Chimney
- Tower crane
- Pipe line
- Bridge
- Transmission line
- Radio and television tower
- Wind turbine
- Wind mast measurement
- Radar
- Antenna

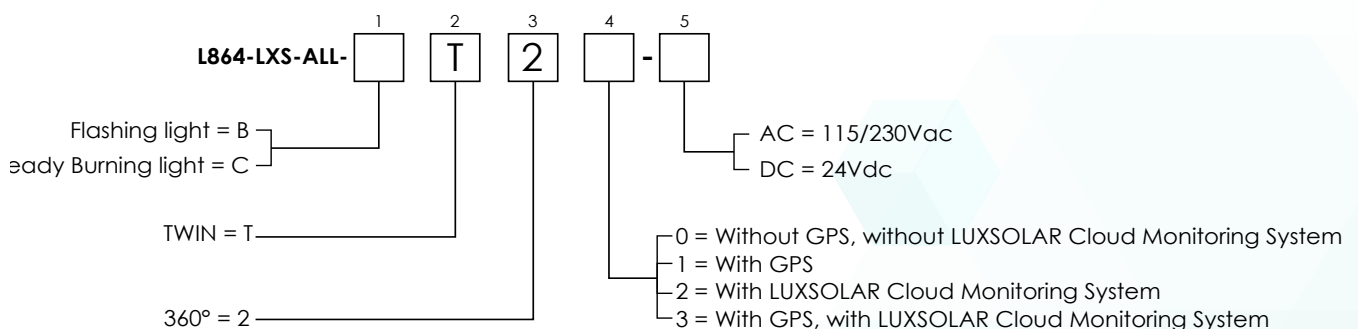
COMPLIANCE

- ICAO Aerodromes - Annex 14 Vol. 1, Ch.6: Medium intensity, Type B flashing obstacle light MIOL-B type or Type C steady burning obstacle light MIOL-C type;
- FAA AC150/5345-43; E.B. #67 type L-864
- CAP168 Licensing of aerodromes, Ch.4 (MIOL-C)

CERTIFICATIONS

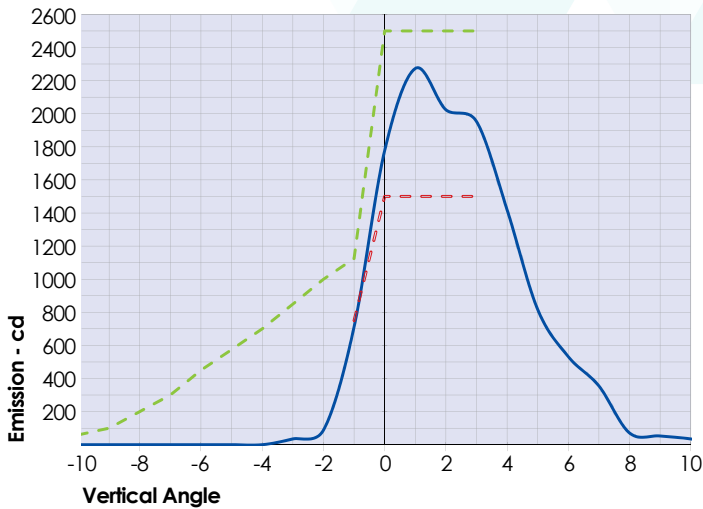
- DGAC/STAC approval nr. 2013A037
- ENAC approval nr. 0135182/ENAC/CIA
- EASA test report (EN17025 laboratory) nr. 326-QL20-R09/R10
- FAA test report (EN17025 laboratory) nr. 880-QL18-R03
- CE marking

ORDER CODE



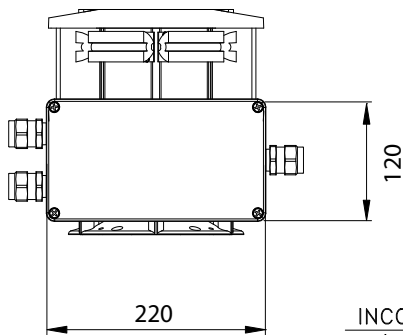
MEDIUM INTENSITY

MIOL-B/MIOL-C ALL-IN-ONE TECHNICAL SPECIFICATIONS

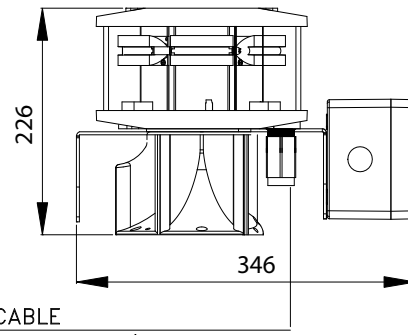


— L864-LXS-B/C average emission level at 90°C ambient temperature
- - - ICAO ANNEX 14 medium intensity type B/C Min. Required Intensity
- - - ICAO ANNEX 14 medium intensity type B/C Max. Required Intensity

BEACON FRONT VIEW

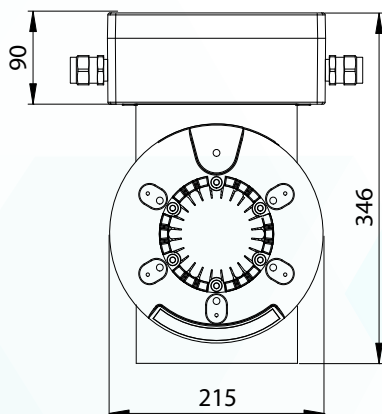


BEACON SIDE VIEW

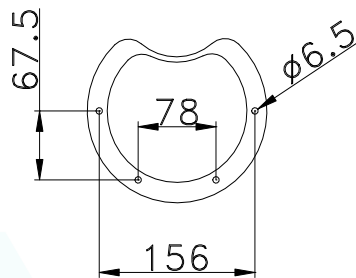


INCOMING POWER SUPPLY CABLE
C/W CONNECTOR (CABLE DIAMETER 7/14mm – max. 2,5sqmm)

BEACON TOP VIEW



FIXING DETAILS BASE



FIXING DETAILS SIDE
(not scale)

