

2000CD Intensity



Wetra MIOL-B LED+IR OBSTRUCTION LIGHT

ICAO Medium-Intensity Type B/C 2000cd
FAA L864
Infrared

Medium-Intensity Single Light MIL2KS

MIL2KS LED obstruction lights can be red flashing or steady burning. GPS wireless or external controller controls synchronization. Vibration resistant and operates over a wide temperature range. It is protected against lightning strikes. These series lights can be applying for marking telecom towers, buildings, wind turbines, airport, fencing and other obstacles.

MIL2KS is 2000cd red medium intensity light. It is compliant to ICAO and FAA L-864 standard. Utilizing state-of-the-art optical design to achieve the most compact and efficient light.

FEATURES:

- Cree LED, 100,000 hours lifetime. High light efficiency and energy saving.
- A large arc reflector can limit light beam within effective range, reducing light pollution and improving light efficiency.
- Using LED constant current drive technology and aluminum cooling technology so as to maximize LED life.
- Lighthouse is made of PC material. It is able to anti-UV, good at impact strength, thermal stability and flame retardancy.
- High reliability seal design to meet IP66.
- It is with integrated junction box, which is convenient for customer wiring connection.
- Reverse polarity protected (DC Type).
- Option function: light sensor (photocell) for day/light operation
Optional steady burning or flashing.
Optional faulty alarm output
Optional GPS Synchronization

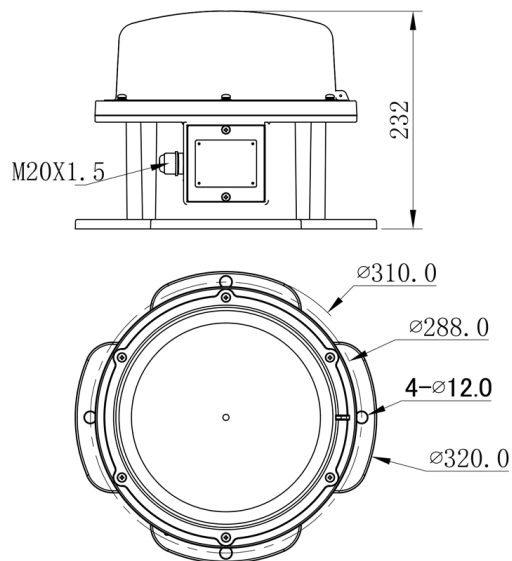
Specification	
Light model	MIL2KS
Light source	Cree LED
Intensity	2000±25%cd
Horizontal Output (degrees)	360
Vertical Output (degrees)	3
LED color	Aviation Red as standard. Other color is available on request.
LED lifetime	>100,000hours
Operation mode	Steady burning (Default) or flashing
Electrical characteristics	
Operating voltage	110~240VAC, 24VDC, 48VDC
Power consumption	30~48W
Driven mode	Constant current
Mechanical characteristics	
Body material	Die Casting Aluminum
Lens material	PC UV Stabilize
Weight	7.00KG
Dimension	See diagram
Mounting	Flat Installation
Working temperature	-40°C ~ +70°C
Humidity	10% ~ 95%
Wind speed	Up to 150mph(240kph)
Waterproof	IP66



Order Instruction

Product Code	Intensity	Output	Voltage	GPS
MIL2KS-R-DC	2000	Aviation Red	24VDC /48VDC	NO
MIL2KS-R-DC-G	2000	Aviation Red	24VDC /48VDC	YES
MIL2KS-R-AC	2000	Aviation Red	110~240VAC	NO
MIL2KS-R-AC-G	2000	Aviation Red	110~240VAC	YES
MIL2KS-R-IR-DC	2000	Aviation Red+Infrared	48VDC	NO
MIL2KS-R-IR-AC	2000	Aviation Red+Infrared	110~240VAC	NO
MIL2KS-R-IR-AC-G	2000	Aviation Red+Infrared	110~240VAC	YES
MB2K mounting bracket		✘	✘	✘

Diagram (mm):



Installation Instruction:

Open the two screws on the junction box. Wiring terminals will be seen. Entry cable via cable gland and connect the wiring cable following the label. Power on the light to see if light works.

Before power on, you may reset the light: (At this time, you need to open the light from bottom)

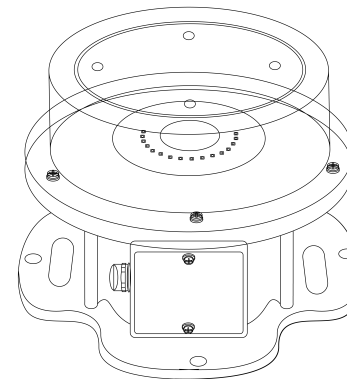
1. Flashing rate. (See instruction)
2. Photocell ON/OFF. Photocell is for light Day/Night Switch. If you request light working all the time, please switch photocell off.

(Aboving setting up is customized item. Make sure you confirm them with our sales before you place order to us.)

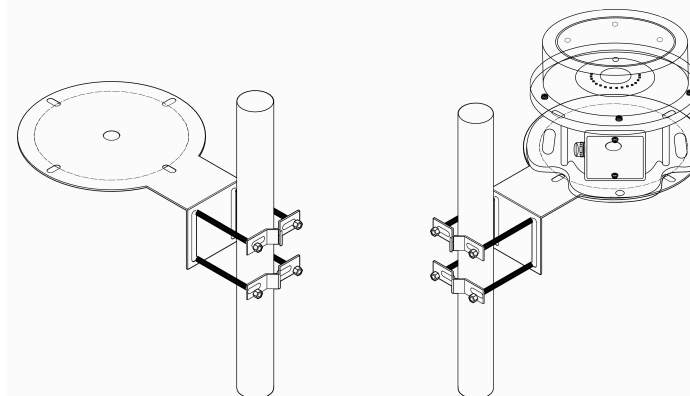
After setting is completed, tighten the screws. Make sure the red rubber sealing O ring remain in place.

Installation Specification:

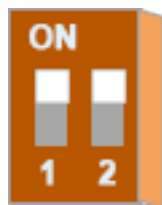
- Mounting: Flat installation
- Wiring: Recommended cable 3*1.0 mm² or bigger size.



You can choose our bracket MB001/MB002



1. Work Mode Setting:

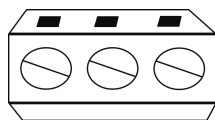


State		
1	2	FPM
0	0	20
0	1	30
1	0	60
1	1	Steady

Set light working mode. Find the red dial switch "SW1" on the circuit board. Set working mode following "State" table.

- 1) Switch "00" , flashing frequency is 20 times/minute.
- 2) Switch "01" , flashing frequency is 30 times/minute.
- 3) Switch "10" , flashing frequency is 60 times/minute.
- 4) Switch "11" , the light will be steady burning.

3. Alarm:



NC NO COM

Alarm Relay(Contact Capacity Resistive Load: 10A)

"NO" : Normally Open --In alarm, connected with COM

"COM" : Common ---Common replay contact

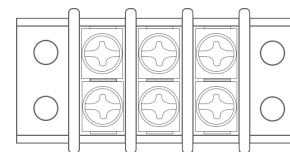
"NC" : Normally Close---In alarm, connected with COM

2. Photocell Setting:



Set light photocell function. Find black switch " ON-Photocell-OFF" on circuit board. Dial to " ON" . Photocell will work. Light does not work at daytime, and will automatically turn on to work at nighttime. Dial to "OFF" . Photocell will not work. Light will work all the time after powering on.

4. Power Input:



	Mark	Description
AC Type	L	Live
	N	Neutral
	E	Protective earth
DC Type	+	Positive
	-	Negative
	E	Protective earth