

## Low intensity Solar Powered Obstruction Light



Model type:GS-LS/G

## Introduction

GS-LS/G Low intensity Solar Power Obstruction light adopts insert solar panel whose photoelectric conversion efficiency is high to 19% integrated design, cooperate with solar dedicated lithium iron phosphate battery as power supply.

Control circuit adopts micro-power consumption, Control circuit adopts micro-power consumption Single Chip Micoyoco controlling chip, which can control battery's charge and discharge statue; Meanwhile, it can reduce controlling circuit 's power consumption; Light source adopts high efficient LED chip, which has specific of high Light intensity, low power consumption, long life and so on. Lampshade adopts PC material, which can corrosion resistance, anti-UV anti-shock. The base adopts marine-grade dedicated plastic material, it can apply to seaways and chemical plant that have hostile and strong corrosive environment.

## Specification

Name	Parameter	Name	Parameter
Type	GS-LS/G	Light Source Service Life	100000 hours
Power Supply	Class A high efficient solar panel	Emitting Color	Red
Battery capacity	>3.2V3.3H	Battery Type	Replaceable lithium iron phosphate battery
Solar panel power	1.8W	Solar panel life	>20years
Power consumption	≤0.3W	Vertical Divergence	3°
Visual range	1~5km	Horizontal Out-put	360°
Light source	LED	Overall Size(mm)	Φ186 by 190
Storage temperature	-40°C~70°C	Installation Size	Φ170mm×M6
Working Temperature	-20°C~60°C	Anti-wind Ability	80m/s
steady light intensity	10cd	flashing light intensity	32.5cd
Weight	1.2kg	Working mode	Flashing/steady burning
Continuous working time	7days	Optically Controlled Ambient Brightness	300±100LUX
IP Standard	IP68		

## Function&Features

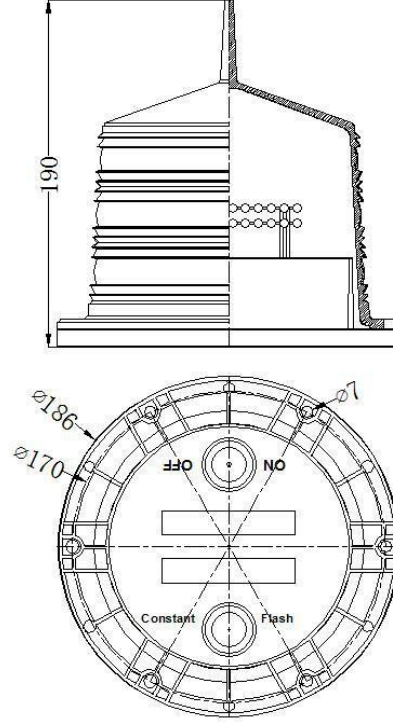
- Continuous working time in rainy day can reach more than 30 days. (10 hours a day)
- Photocell can switch ON/OFF the light in rainy days or at night automatically.
- Standardization of optical design, high photoelectric conversion efficiency.

- Adopts high efficient solar chip,photoelectric conversion efficiency is over 19%.
- The integration of the waterproof design, it can work in soaking in sea water, High protection grade IP68.
- Adopts special customized LED chip,transfer efficiency and service life is higher than normal LED.
- Circuit adopts advanced charging and discharging management system,prolong battery's life effectively.
- The lamp extend state switch, it can adjust steady or flashing light working mode base on requirement.
- Provides strong corrosion resistance, lightning resistance,UV resistance, impact resistance.
- Inner adopts solar phosphoric acid iron battery whose service life can above 3 years, reduce The cost of maintenance and difficulty.
- The base adopts marine-grade dedicated plastic material,it can apply to seaways and chemical plant that have hostile and strong corrosive environment..
- With bird needle to prevent bird drop.
- No radio frequency (rf), no electromagnetic interference
- Steady working, low cost.

## Application

- Block
- Bridge
- Towers
- Telecom tower
- Chimney
- Airport runway
- Heliport
- Traffic barrier
- Tower cranes

## Dimension drawing



## Usage notice

- Please read the instruction carefully and then use the device correctly.
- Solar powered marine lantern must be installed in a sunny place to keep it working continuously.
- Please install this light on the Installation plane that perpendicular to light axis, installation plane should has mechanical strength.
- If the device fails to work at the first using time, please place the device under sunlight to recharge power 12hours, it will work.
- Please turn off the device and put it in a sunlight for 5day(s) to recharge power each 3 months if it needs to be stored for a long time.
- If there any other problem please contact us.